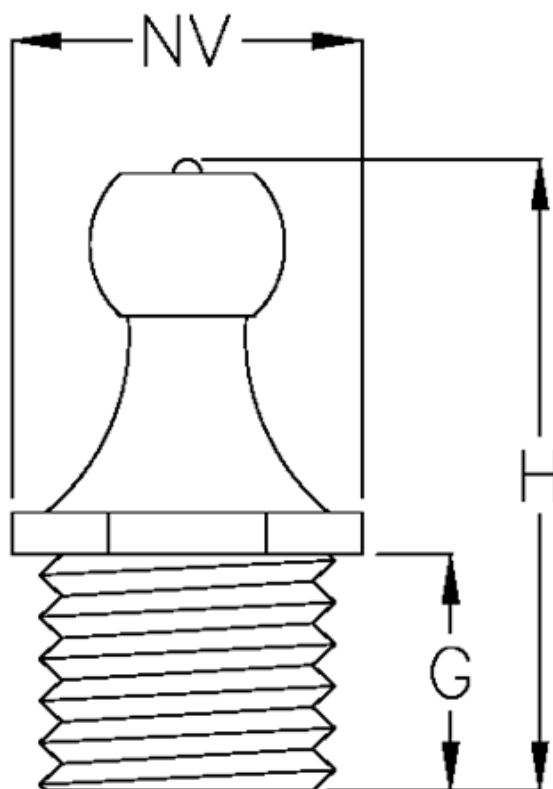


Article number: 53090103

Description: KLEE Hydraulic lubricating nipple DIN 71412
H1 straight, G3/8

Measures



G = -

H = -

NV = -

Thread = G3/8